

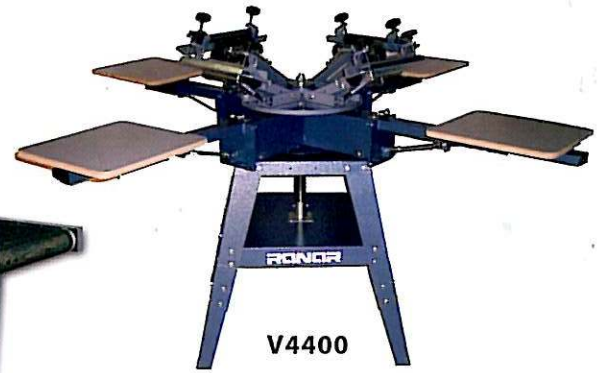
Package # 2 \$ 6,995⁰⁰

Includes :

- V4400 4 Color 4 Station Printer
- XPO 2426 Exposure
- D162 Flash Dryer
- Supplies Package
- CS 4000 Dryer



CS4000



V4400

Production Rate up to 150 HR.

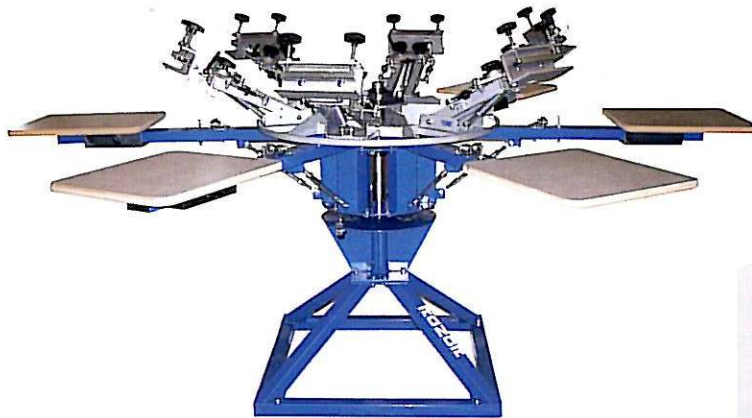
Upgrade to V 6400 + \$600

Pro Package \$ 9,995⁰⁰ The Professional Shop

Production Rate up to 180 HR.



KDL Washout Booth



E6600



XPO 2848

- Elite E6600 6/6 Printer
- XPO 2848 Exposure Unit
- D1820 Flash Dryer
- CS 4000 Dryer
- Washout Booth
- Supplies Package

This system is a cost effective system designed to fulfill high quality multi-color screen printing with proven production rates. "Fully Backed by a company 35 years strong."

Accessories / Upgrades Automatic Packages Available

- | | | |
|---------------------|------------------|----------------|
| ● Rotary Stations | ● Washout Booths | ● Dip Tank |
| ● Numbering Systems | ● Platens | ● Screen Racks |
| ● Cap Printing | ● Sign Platens | ● Textile Gun |



RANAR

1-800-421-9910

fax: 310 414-4133

149 Lomita Street, El Segundo, CA 90245, USA

www.ranar.com

sales@ranar.com