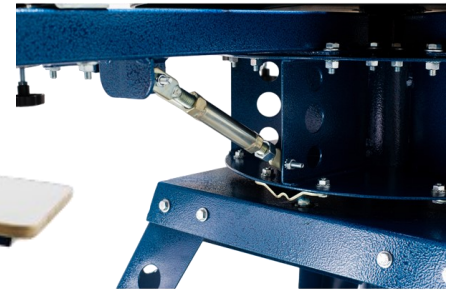
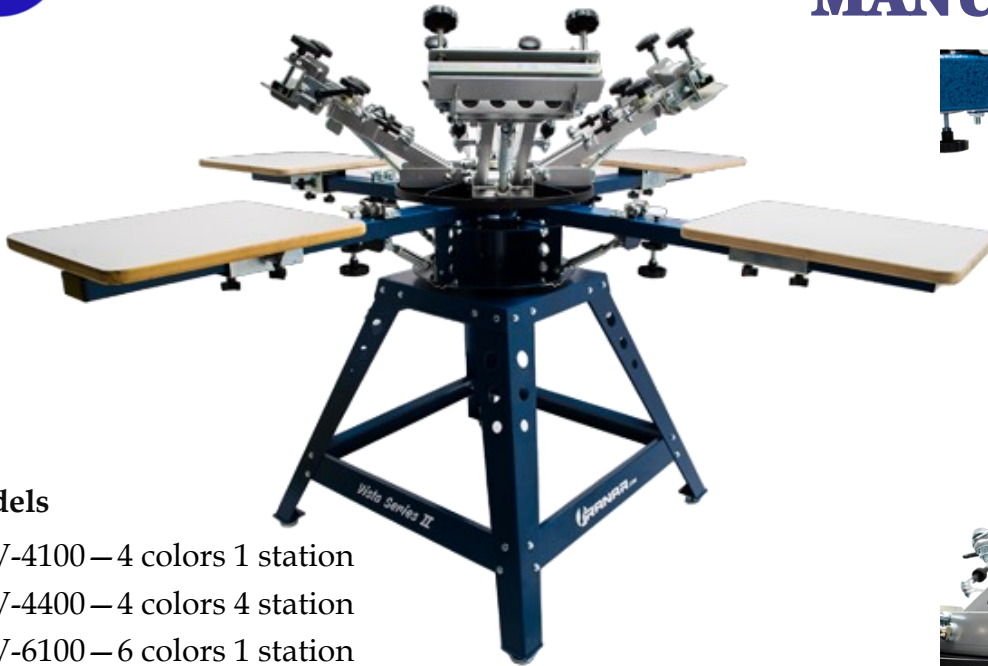




VISTA II SERIES MANUAL PRESSES



Station leveling



Adjustable Spring Tension

Models

- ◇ V-4100 – 4 colors 1 station
- ◇ V-4400 – 4 colors 4 station
- ◇ V-6100 – 6 colors 1 station
- ◇ V-6400 – 6 colors 4 station
- ◇ V-6600 – 6 colors 6 station

The Vista series II entry level press is designed to grow with your business. You can easily add more colors, extra stations or multiple rotating stations for higher production and flash drying. The design allows for upgrades to be done either at the time of purchase or at a later date. This gives the user the flexibility to budget their purchase without sacrificing quality or durability. Ranar Vista Series II press is an industrial grade machine that produces quality results.

OPTIONS

- ◇ Side Clamps
- ◇ Automatic Press Quick Release
- ◇ Aluminum Platens
- ◇ Number and Hat Printing Attachments
- ◇ Ranar Accessories and Pallets Available
- ◇ Casters

FEATURES

- ◇ Fine Movement Micro Registrations Knobs
- ◇ Visual Micro Registration Zero Reference Point
- ◇ Finger Tip Adjustable Compression Spring Tension
- ◇ Steel Index Key w/Roller bearing Registration
- ◇ Off-contact Adjustment
- ◇ Screen Angle Adjustment Knobs
- ◇ Adjustments for Uneven Screens
- ◇ Tools Free Adjustments
- ◇ Quick Change Pallets
- ◇ Pallet Stations Leveling Strut
- ◇ Station Arm Pallet Location Ruler
- ◇ Leveling Feet on each leg
- ◇ Expandable, Extra Colors and Stations
- ◇ Heavy Duty Tapered Roller Bearings
- ◇ Large Centre Steel Construction
- ◇ Standard Size Screen Frame 20" x 24"

SALES@RANAR.COM

310-414-4122

WWW.RANAR.COM

Ranar Screen Printing Equipment, Inc

1340 Stylemaster Dr.

Union MO 63084

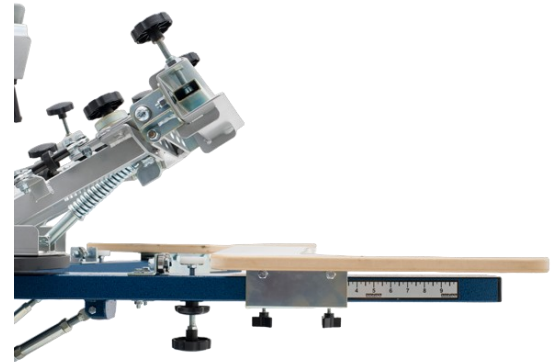




VISTA II SERIES MANUAL PRESSES



Micro adjustment head



Station Arm Pallet Location Ruler



Roller Bearing Registration System

The Ranar Vista Series II rotary-station screen printing presses are ideal for the entry level to commercial screen printing shops. Our presses are capable of producing high volume prints and quality screen printed designs on t-shirts, garments and bags. The tools free design and micro registration system has an x, y, z directional movement with a visual reset reference point built in. Adjustments for the screen angle and off contact make it easy to setup print jobs quickly. Our center shaft design provide smooth rotation of the arms and lift heads with the use of a heavy duty tapered roller bearings on the upper and lower carousels and are ideal for trouble-free spin from shirt to shirt. These presses have all the same features as any expensive press would have, all the while producing the same quality screen printed multi colors designs at an affordable price point.

SALES@RANAR.COM
310-414-4122
WWW.RANAR.COM

Ranar Screen Printing Equipment, Inc
1340 Stylemaster Dr.
Union MO 63084

